

PLEASE CHECK WWW.MOLEX.COM FOR LATEST PART INFORMATION

Part Number: [0510150700](#)
Status: **Active**
Description: 2.00mm (.079") Pitch Board-In Crimp Housing, Low Profile, 7 Circuits

Documents:

[3D Model](#) [Product Specification PS-51015-002 \(PDF\)](#)
[Drawing \(PDF\)](#) [RoHS Certificate of Compliance \(PDF\)](#)

General

Product Family Crimp Housings
 Series [51015](#)
 Product Name Board-In

Physical

Circuits (maximum) 7
 Color - Resin Natural
 Flammability 94V-0
 Gender Male
 Glow-Wire Compliant No
 Material - Resin Nylon
 Number of Rows 1
 Packaging Type Bag
 Panel Mount No
 Pitch - Mating Interface (in) 0.079 In
 Pitch - Mating Interface (mm) 2.00 mm
 Stackable No
 Temperature Range - Operating -40°C to +105°C

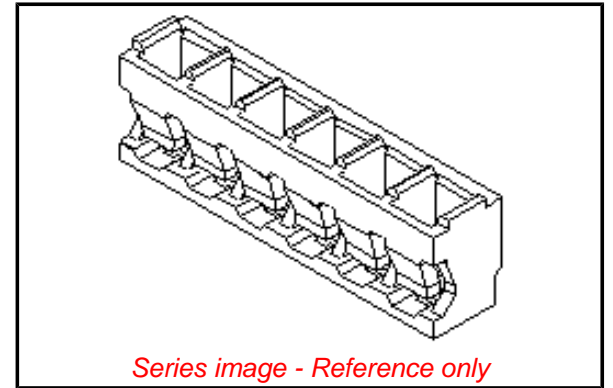
Electrical

UL E29179

Material Info

Reference - Drawing Numbers

Product Specification PS-51015-002
 Sales Drawing SD-51015-**00



EU RoHS

**ELV and RoHS
 Compliant**
**REACH SVHC
 Contains SVHC: Not
 Reviewed**
**Halogen-Free
 Status
 Not Reviewed**

China RoHS



**Need more information on product
 environmental compliance?**

Email productcompliance@molex.com
 Please visit the [Contact Us](#) section for any
 non-product compliance questions.

Search Parts in this Series

[51015 Series](#)

Use With

[50034](#)